

Performance

Whiteware Concepts





Tabletop concept plays an important role in creating a unique and elevated experience for diners.

When developing dinnerware concepts, the interior design and décor is an important consideration. Our Performance Whiteware is the perfect canvas that will fit into any style presentation or décor from casual and bistro to upscale. Performance White is also the perfect canvas for personalisation with colour bands or unique branding.

Designed specifically for the hospitality industry each shape was developed in a thoughtful and purposeful way for both front and back of house. The most durable chinaware in the market today, Performance is backed with a lifetime chip guarantee for extra assurance that your tableware will last.

CONTENTS

steelite performance

Nordic.....	4
Taste.....	8
FreeStyle.....	20
Liv.....	22
Simplicity.....	24
Bespoke Design.....	30
What Sets Us Apart.....	32
Zero Waste Manufacturing.....	34



The Nordic region has become synonymous with Chef's skills in developing dishes utilising the very best local ingredients and presenting them in a sensitive and contemporary manner.

Such an important culinary aesthetic deserves its own platform and the new Nordic range encompasses these shared design values. The simple but sophisticated plate profiles allow Chef the space to present dishes that can 'breathe' whilst simultaneously being framed by a deep, gently curving rim. This enables the ultimate showcasing of some of the most innovative and influential cuisine.

new

STEELITE PERFORMANCE *nordic*

steelite
INTERNATIONAL

ALUMINA VITRIFIED





new

STEELITE PERFORMANCE *nordic*

steelite
INTERNATIONAL

ALUMINA VITRIFIED



Nordic Coupe Plate
11070634 25.25cm (10")



Nordic Coupe Plate
11070631 20.25cm (8")



Nordic Coupe Plate
11070630 16.5cm (6 1/2")



Designed to create a unique and relaxed presentation for casual dishes, the Taste range offers an array of shapes and sizes that are suitable for all meal types. The latest additions to the Taste range include the trendy and functional stacking plates, and a suite of bowls that are great for single serve portions or sides.

Taste can be mixed with Steelite decorated patterns Dapples or Revolution to elevate presentations and create personalised tabletops. The possibilities with Taste are endless.

new

STEELITE PERFORMANCE *taste*

steelite
INTERNATIONAL

ALUMINA VITRIFIED





new

STEELITE PERFORMANCE *taste*

steelite
INTERNATIONAL

ALUMINA VITRIFIED



Stack Plate
0635 28.5cm (11¼")



Stack Plate
0636 25.5cm (10")



Stack Plate
0637 20.25cm (8")
Fits 0559 as a Lid



Stack Plate
0638 16.5cm (6½")
Fits 0560 as a Lid



Round Stacking Tray
0559 20.25cm (8")
Fits 0637



Round Stacking Tray
0560 16.5cm (6½")
Fits 0638



new

STEELITE PERFORMANCE *taste*

steelite
INTERNATIONAL

ALUMINA VITRIFIED



Bowl
0484 17.5cm (7") 98.0cl (34½oz)



Bowl
0482 15.5cm (6⅛") 65.5cl (23oz)



Bowl
0481 13.5cm (5¼") 45.5cl (16oz)



Bowl
0480 11.0cm (4½") 34.0cl (12oz)



Bowl
0633 12.0cm (4¾") 56.75cl (20oz)
Fits Lid 0829



Bowl
0628 11.5cm (4½") 45.5cl (16oz)
Fits Lid 0829



Lid
11010829 Fits Bowls 0633 & 0628





Coupe Plate
0565 30.0cm (11¾")
0544 28.0cm (11")
0566 25.25cm (10")
0543 23.0cm (9")
0567 20.25cm (8")
0568 15.25cm (6")



Spice Plate
0579 30.5cm (12")
0580 25.5cm (10")
0581 20.25cm (8")
0582 15.25cm (6")



Zest Platter
0585 30.5cm (12")
0586 25.5cm (10")
0587 20.25cm (8")



Coupe Bowl
0545 29.0cm (11½")
 183.25cl (64½oz)
0569 25.25cm (10")
 120.25cl (42.3oz)
0570 21.6cm (8½")
 83.5cl (29.4oz)
0571 13.0cm (5")
 16.0cl (5.6oz)



Round Stacking Tray
0559 20.25cm (8") Fits 0637
0560 16.5cm (6½") Fits 0638
0561 13.5cm (5½")
0471 7.5cm (3")



Tulip Bowl
0541 17.5cm (6¾")
 106.0cl (37¼oz)
0540 14.0cm (5½")
 51.43cl (18oz)
0539 10.0cm (4")
 17.62cl (6¼oz)
0538 7.0cm (2¾")
 5.68cl (2oz)



Square Bowl
0601 25.0cm (10")
 227.25cl (80oz)
0602 20.0cm (8")
 95.75cl (33.7oz)
0603 15.5cm (6")
 41.5cl (14.6oz)
0604 10.0cm (4")
 12.25cl (4.3oz)



Angle Bowl
0562 20.25cm (8")
 63.0cl (22.2oz)
0563 15.25cm (6")
 27.75cl (9.8oz)
0564 10.25cm (4")
 6.75cl (2.4oz)



Essence Bowl
0596 20.25cm (8")
 99.75cl (35.1oz)
0597 16.5cm (6½")
 58.5cl (20.6oz)
0598 14.0cm (5½")
 33.25cl (11.7oz)
0595 11.2cm (4½")
 17.5cl (6.2oz)



Scoop Bowl
0574 16.5cm (6½")
 26.75cl (9.4oz)
0583 11.2cm (4½")
 7.75cl (2.7oz)
0584 8.8cm (3½")
 3.5cl (1.2oz)



Tasters Tray
0577 25.5cm x 13.0cm
 (10" x 5")



Tasters Bowl
0576 13.0cm x 13.0cm
 (5" x 5")
 30.5cl (10.75oz)



Souper Douper
0558 60.0cl (21.2oz)



Tilt Pot Tall
0599 7.5cm x 9.0cm
 (3" x 3½")
 23.5cl (8.3oz)



Tasters Dip
0575 6.5cm x 6.5cm
 (2½" x 2½")
 5.75cl (2oz)



Pourer
0557 8.5cl (3oz)



Sauce Pot
0608 17.0cl (6oz)



The new Taste City Mugs are perfect for everyday use in casual hospitality settings and great for mixing and matching with other Taste items. Perfect for serving everything from coffee and tea, to hot chocolate, spiced cider and other warming beverages, the Steelite Performance body guarantees excellent heat retention for the perfect cup every time.

new

STEELITE PERFORMANCE *taste*



ALUMINA VITRIFIED



City Mug
0622 45.0cl (16oz)



City Mug
0623 34.0cl (12oz)



City Mug
0624 28.5cl (10oz)



City Mug
0625 22.75cl (8oz)



City Mug
0626 11.4cl (4oz)

COMPATIBLE WITH:



Saucer
X0042 15.0cm (6")



Saucer
X0042 15.0cm (6")



Saucer
X0042 15.0cm (6")



Saucer
X0043 12.5cm (5")



Saucer Double Well
0158 14.5cm (5¾")



Saucer Double Well
0158 14.5cm (5¾")



Saucer Double Well
0158 14.5cm (5¾")



Saucer Double Well
0165 11.75cm (4⅝")



Saucer Single Well Slimline
0218 15.25cm (6")



Saucer Single Well Slimline
0218 15.25cm (6")



Saucer Single Well Slimline
0218 15.25cm (6")





Square One
0553 27.0cm x 27.0cm
(10⁵/₈" x 10⁵/₈")



Rectangle One
0550 27.0cm x 16.75cm
(10⁵/₈" x 6¹/₂")



Rectangle Two
0551 33.0cm x 27.0cm
(13" x 10⁵/₈")



Rectangle Three
0556 33.0cm x 19.0cm
(13" x 7¹/₂")



Rectangle Four
0552 37.0cm x 16.5cm
(14¹/₂" x 6¹/₂")



Rectangle Five
0549 29.0cm x 14.0cm
(11¹/₂" x 5¹/₂")



Rectangle Six
0618 20.0cm x 10.0cm
(8" x 4")

PATTERN CODE: 1107

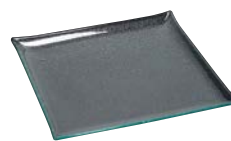
Taste glassware offers a new dimension in culinary presentation allowing you to mix items with other ranges while also bringing a lighter alternative to the presentation.



Rectangle Platter
6506G350
26.5cm x 16.0cm
(10³/₈" x 6¹/₄")



Rectangle Platter
6506G352
36.8cm x 16.0cm
(14¹/₂" x 6¹/₄")



Square Platter
6506G353
26.5cm x 26.5cm
(10³/₈" x 10³/₈")



FreeStyle is a creative and functional range that puts an organic and elegant twist on a modern concept in casual dining. The range is classic, with sculptural, curvy forms with multifunctional items that sit freely on the table for light and casual dining environments.



Plate
0501 37.5cm (14⁵/₈")



Plate
0520 30.5cm (12")



Plate
0521 25.0cm (10")



Plate
0522 15.5cm (6")



Bowl
0523 28.0cm (11") 87.25cl (30.7oz)



Bowl
0526 24.0cm (9¹/₂") 36.75cl (13.1oz)



Bowl
0518 25.0cm (10") 74.0cl (26oz)



Bowl
0524 18.0cm (7") 42.5cl (15.3oz)



Bowl
0519 15.5cm (6") 25.5cl (9oz)



Bowl
0525 13.0cm (5") 13.6cl (4¹/₅oz)



LiV is all about how we live our lives today. City life is fast-paced, time challenged and busy, yet we still crave the “new” and are ever hungry for fresh and invigorating experiences. Continually fresh ideas and innovation promote an ever-changing approach to new combinations of tastes, textures and presentation. LiV is edgy, fun, casual and creative. It encourages a streetwise approach to food presentation, whilst being super-easy to use in space constrained and busy environments.



Stackable Bowl
X0008 14.0cm (5½")
71.0cl (25oz)



Stackable Bowl
X0009 11.5cm (4½")
42.6cl (15oz)



Stackable Bowl
X0010 9.0cm (3½")
22.7cl (8oz)



Jug
X0029 28.5cl (10oz)
X0030 14.25cl (5oz)



Jug - Unhanded
X0031 8.5cl (3oz)



Cup
X0018 45.5cl (16oz)
X0019 35.0cl (12oz)
X0020 28.5cl (10oz)
X0021 22.75cl (8oz)
X0022 17.0cl (6oz)
X0023 8.5cl (3oz)



Saucer
X0042 15.0cm (6")
Fits X0022,21,20,19,18 Cup
& X0010 Stackable Bowl
X0043 12.5cm (5")
Fits X0023 3oz Cup



Beverage Pot
X0025 60.0cl (21oz)
X0026 Lid No 1
X0027 35.0cl (12oz)



Covered Sugar
X0032 20.0cl (7oz)
X0033 Lid



A simple yet effective plain white pattern made in Steelite International's strong and highly durable ceramic body. The range offers a large choice of options to enhance any food service presentation.



Plate Slimline
0209 27.0cm (10⁵/₈"")
0210 25.5cm (10")
0211 23.0cm (9")
0212 20.25cm (8")
0213 17.75cm (7")
0214 15.75cm (6¹/₄"")



Plate Harmony
0810 31.5cm (12¹/₂"")
0811 30.0cm (11³/₄"")
0812 27.0cm (10⁵/₈"")
0813 25.5cm (10")
0814 23.0cm (9")
0815 20.25cm (8")
0816 16.5cm (6¹/₂"")



Service/Chop Plate
0343 33.0cm (13")
0226 30.0cm (11³/₄"")
0336 27.0cm (10⁵/₈"")



Pizza Plate
0614 31.5cm (12¹/₂"")
0710 28.0cm (11")



Plate Cresta
0700 25.5cm (10")
0703 20.25cm (8")
0705 16.5cm (6¹/₂"")



Oval Plate Coupe
0146 39.5cm (15¹/₂"")
0145 34.25cm (13¹/₂"")
0142 30.5cm (12")
0141 28.0cm (11")
0140 25.5cm (10")
0139 20.25cm (8")



Combi-Tray
0360 27.9cm (10")



Crescent Salad
0207 20.25cm (8")





Nouveau Bowl
0365 30.0cm (11¾")
 57.75cl (20.3oz) well
0372 27.0cm (10⁵/₈")
 34.5cl (12.1oz) well



Pasta Plate
0350 30.0cm (11¾")
 56.75cl (20oz)
0314 27.0cm (10⁵/₈")
 42.0cl (14.8oz)



Ultimate Bowl
0344 30.0cm (11¾")
 159.0cl (56oz)
0356 27.0cm (10⁵/₈")
 118.0cl (41½oz)



Soup Plate Rimmed Atlanta
0114 23.0cm (9")
 44.0cl (15½oz)



Harmony Soup/Pasta Plate
0363 24.0cm (9½")
 45.75cl (16.1oz) well



Soup Plate
0215 21.5cm (8½")
 39.75cl (14oz)



Soup Coupe
0116 19.0cm (7½")
 54.75cl (19.3oz)



Fruit Stone Rim
0130 16.5cm (6½")
 27.0cl (9.5oz)
Fruit Atlanta
0131 13.5cm (5¼")
 13.75cl (4.8oz)



Salad Bowl
0461 23.0cm (9")
 116.5cl (41oz)



Soup Bowl Club
0219 31.25cl (11oz)
Sugar/Bouillon Cup Club
0379 22.75cl (8oz)



Chinese Bowl
0242 12.75cm (5")
 52.5cl (18½oz)



Oatmeal Bowl
0126 16.5cm (6½")
 51.5cl (18.1oz)
0429 14.0cm (5½")
 31.25cl (11oz)



Soup Cup Unhandled
0121 28.5cl (10oz)



Soup Cup Lugged
0115 28.5cl (10oz)



Soup Cup Handled
0119 28.5cl (10oz)



Combi-Cup
0182 45.5cl (16oz)



Soup Bowl
0828 42.5cl (15oz)
Covered Complete
0829 Cover



Stacking Bowl
0308 21.0cm (8¼")
 185.0cl (66oz)
0309 17.0cm (6²/₃")
 90.0cl (31½oz)
0310 13.0cm (5")
 39.0cl (13oz)





Low Cup Empire
0150 45.5cl (16oz) Fits 0225
0152 34.0cl (12oz) Fits 0225
0189 22.75cl (8oz) Fits 0158
0184 17.0cl (6oz)
0190 8.5cl (3oz) Fits 0165



Cup Tall Slimline
0216 20.0cl (7oz) Fits 0218



Mug Club
0349 28.5cl (10oz)
 Fits 0218, 0225
0346 23.75cl (8½oz)
 Fits 0218, 0225



Cup Stacking Slimline
0188 28.4cl (10oz)
 Fits 0218, 0225



Cup Stacking Slimline
0217 20.0cl (7oz)
 Fits 0218, 0158
0230 17.0cl (6oz)
 Fits 0218, 0158
0234 10.0cl (3½oz)
 Fits 0165



Cup Stacking Atlanta
0154 21.25cl (7½oz)
 Fits 0165



Grand Café
0546 28.5cl (10oz)
 Fits 0158



Grand Café
0547 17.0cl (6oz)
0548 7.5cl (2½oz) Fits 0165



Stacking Beaker
0403 26.0cl (9oz) Fits 0218



Atlantic Mug
0183 34.0cl (12oz)
 Fits 0225



Coffeehouse Mug
0404 45.5cl (16oz) Fits 0225
0401 34.0cl (12oz)
0465 26.5cl (9¼oz)



Aroma Mug
0527 17.0cl (6oz)
 Fits 0158, 0218
0528 8.5cl (3oz) Fits 0165



Quench Mug
0590 45.5cl (16oz)
0591 34.0cl (12oz)
0592 28.5cl (10oz) Fits 0158
0593 22.75cl (8oz) Fits 0158
0594 8.5cl (3oz) Fits 0165



Jug Harmony
0837 28.5cl (10oz)
0838 14.25cl (5oz)



Jug Harmony (Unhandled)
0839 7.0cl (2½oz)



Saucer Double Well
0158 14.5cm (5¾")
0165 11.75cm (4⅝")



Saucer/Soup Stand Double Well Slimline
0225 16.5cm (6½")



Saucer Single Well Slimline
0218 15.25cm (6")

Bespoke Design



An effective way to make a visual statement is through custom decoration. From the addition of a company logo or colour band around the edge of a plate, creating something unique for your brand helps you engage with your diners.

With more and more people photographing their dishes and sharing on social media, now is the perfect time to create your personalised tableware and enhance your tabletop presentation.

Make it Yours



Mixing and matching patterns and ranges can allow you to create an eclectic look that is truly your own. Food that makes you pay attention deserves unique presentation. And from laid back casual to fine formal, we know what makes food stand out. Tableware is the scenery to food's theatre, so getting it right helps you tell your story.



What Sets Us Apart

The Steelite International Lifetime Edge-Chip Warranty is your assurance that all products manufactured in our UK factory are fit for purpose. This commitment to quality excellence ultimately results in product that you will replace less often – great for your kitchen, great for your long-term costs and great for the environment.



Our Alumina Vitrified clay body offer our customers the opportunity to purchase sleek and elegant pieces with the security of durability and lasting product excellence. All Performance and Distinction products are made with high alumina content to ensure ultimate strength. 100% Vitrified Ceramics prevent crazing and cracking that lead to bacterial ingress over time, thus enhancing sanitation and food safety efforts.

Each piece is inspected, examined and tested so you can be confident it will withstand the rigours of the modern commercial kitchen and remain chip free.



Secure Handle Adhesion

Every time you serve a customer with a Performance or Distinction cup or mug, relax in the confidence that the handle has gone through 7 different quality checks to ensure it stays where it belongs – on the cup!



Heat & Chill Retention

Piping hot main course or ice-chilled desserts, serve your food as it is meant to be served.



Stain Resistance

All products have great stain resistance, which means you can work comfortably with any food time and time again... without leaving a trace.



Stackability

Stackable shapes result in space-saving solutions!



Glaze Damage Resistance

Durable transparent glaze provides an excellent quality finish and great performance in service.



Microwave & Freezer Safe

Our products offer complete versatility. However you work, be confident our products work with you.



Dishwasher Safe

Our products withstand the dishwasher better than most by enduring the rigours of the food service industry wash after wash.



Thermal Shock Resistance

Performance and Distinction products withstand temperature fluctuations of up to 350°F. Work with our products and work with confidence.



plaster

Waste plaster moulds are recycled into plaster board material for the building industry.

822 TONNES RECYCLED IN 2019



water


Capturing process waste and re-introducing it back into our products saves on waste leaving site, reducing our impact on the environment



wood

Scrap wood from the site goes to a wood chip plant which turns the waste into chipboard for the building industry

54 TONNES RECYCLED IN 2019



refractory waste

Refractory waste (broken kiln furniture) is introduced as an aggregate used by several industries



paper

By using Woodland Trust printer paper, **we have helped to fund 1.86 hectares of new native UK woodland** during 2019, to **capture 743 tonnes of CO₂**



clay

The introduction of our Lamella machine in 2007 now allows us to recycle clay waste in water. This **allows us to produce 15,000 cups and saucers every year with the clay waste extracted**



energy

We monitor energy usage and monitor yield, paying particular attention to the amount of product we put into our kilns as poor kiln fill would lead to waste energy



less than 1% can't be recycled

The only waste that leaves our site destined for landfill is waste ceramic fibres as it is hazardous and has no other use. Less than 1% of our total waste by weight or volume goes down this route

Zero Waste Manufacturing

Steelite International work closely with a number of suppliers and organisations, and are continually monitoring, developing and improving procedures to create minimum impact on the community and environment, while ensuring maximum efficiency and cost savings for the future sustainability of the business.

Steelite International is a member of The Green Organisation that rewards and promotes environmental best practice around the world, and the Staffordshire Business & Environmental Network, which aims to help local businesses reduce environmental impacts while also generating profits.

We have a dedicated and innovative approach to caring for the environment. In 2019 Steelite were awarded an engineering gold Green Apple Award for the implementation of a waste water centrifuge system.

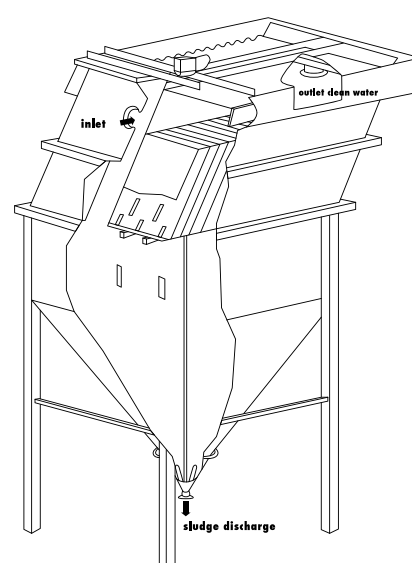
Our new centrifuge system works by spinning waste material out of waste water at very high speed, the water is separated from waste glaze and then reclaimed saving around 20 cubic metres of water per day. This has dramatically improved the quality of waste water that does leave site. A part from significantly reducing water, it saves glaze and lowers energy usage on site too.

In 2007, the business became one of only five companies in the UK to install a Lamella system. Steelite is the only tableware manufacturer to use a Lamella system for recycling clay waste.

In addition to clay recycling, fewer chemicals are now required to separate waste. This has a positive effect on the environment and water discharged from the site is also purer.



The Lamella has significantly reduced Steelite International's impact on the environment. The company now recycles in excess of 99% of manufacturing waste. In 2010 we received a Green Apple Award for the Lamella project.





**United Kingdom &
Republic of Ireland**

Steelite International Ltd
Orme Street
Stoke-on-Trent
ST6 3RB, England
Telephone +44 (0)1782 821 000
Fax +44 (0)1782 819 926
Email headoffice@steelite.com

London Showroom

Steelite International Ltd
75 Wells Street
2nd Floor South
London, W1T 3QH
Telephone +44 (0)1782 249 599
Email london@steelite.com

United States of America

Steelite International USA Inc
154 Keystone Drive
New Castle, PA 16105
Telephone +1724 856 4900
Fax +1724 856 7924
Email usa@steelite.com

Benelux

Steelite International Benelux BV
's Gravelandseweg 258
3125 BK Schiedam
Nederland
Telephone +31 (0)20 617 5915
Email info@steelite.nl

Germany

Steelite International
Deutschland GmbH
Philipp-Reis-Straße 16
64404 Bickenbach
Telephone +49 (0)6257 61950
Fax +49 (0)6257 7944
Email germany@steelite.com

France

Telephone +32 475 98 1081
Email france@steelite.com

Italy

Telephone +39 0522 902051
Fax +39 0522 902017
Email italy@steelite.com

Portugal

Telephone +351 918 550 429
Fax +351 211 541 022
Email portugal@steelite.com

Scandinavia

Telephone +46 730 322 818
Email scandinavia@steelite.com

Spain

Steelite International Spain
Médico Andrés Boldó, 2
03005 Alicante
Telephone +34 966 590 300
Fax +34 965 990 701
Email spain@steelite.com

Russia, Central & Eastern Europe

CECUK Ltd
Coleridge House, Suite 47
2-3 Coleridge Gardens
London
NW6 3QH
Telephone 0044 207 435 9033
Mobile 00777 613 5088
Email rcee@steelite.com

Australia

Steelite International
Unit 45, Slough Business Park
2 Slough Avenue
Silverwater
NSW 2128
Telephone +61 (0)2 9648 4522
Fax +61 (0)2 9648 4523
Email australia@steelite.com

Canada

Steelite International Canada Ltd
Unit 2, 26 Riviera Drive
Markham, Ontario
L3R5M1
Telephone +1 905 752 1074
Fax +1 905 752 1120
Email canada@steelite.com

Middle East

Steelite International Middle East
Renarte General Trading LLC
1109 Showroom, 1002 Office
Grosvenor Business Tower
Barsha Heights
P.O. Box 123568
Dubai
United Arab Emirates
Telephone +9714 435 6994
Fax +9714 435 6993
Email mea@steelite.com

Asia

Telephone +82 10 4997 7926
Fax +44 (0)1782 821 000
Email asia@steelite.com

Steelite Hong Kong Showroom

20/F, Chinachem Hollywood Center
1-13 Hollywood Road
Central, Hong Kong
Telephone +852 3906 8989
Fax +852 2147 9090
Email umesh@globalhotelware.com

www.steelite.com

 [steeliteinternationalEMEA](https://www.facebook.com/steeliteinternationalEMEA)

 [steeliteEMEA](https://twitter.com/steeliteEMEA)

 [steelite_emea](https://www.linkedin.com/company/steelite_emea)

2000L351