



# Electrolux

## Modular Cooking Range Line 900XP One Well Electric Fryer 15 liter

ITEM # \_\_\_\_\_

MODEL # \_\_\_\_\_

NAME # \_\_\_\_\_

SIS # \_\_\_\_\_

AIA # \_\_\_\_\_



Electrolux



391087 (E9FRED1GF0)

15-lt electric fryer with 1 "V" shaped well (external heating elements) and 1 basket

### Short Form Specification

Item No. \_\_\_\_\_

High efficiency infrared heating elements (10kW) attached to the outside of the well. Deep drawn V-Shaped well. Oil drains through a tap into a container positioned under the well. Height adjustable feet in stainless steel. Exterior panels in stainless steel. Worktop in 20/10, stainless steel. Right-angled side edges eliminate gaps and possible dirt traps between units.

### Main Features

- Deep drawn V-Shaped well.
- External infrared heating elements for ease of cleaning of internal well.
- Thermostatic regulation of oil temperature up to a maximum of 185 °C.
- Overheat protection thermostat as standard on all units.
- Oil drains through a tap into a drainage container positioned under the well.
- All major compartments located in front of unit for ease of maintenance.
- IPX5 water resistance certification.
- The special design of the control knob system guarantees against water infiltration.
- Unit delivered with four 50 mm legs in stainless steel as standard (all round Stainless steel kick plates as option).
- Supplied as standard with 1 basket and 1 right side door for cupboard.

### Construction

- Unit is 930 mm deep to give a larger working surface area.
- All exterior panels in Stainless Steel with Scotch Brite finishing.
- Model has right-angled side edges to allow flush fitting joints between units, eliminating gaps and possible dirt traps.
- Interior of well with rounded corners for ease of cleaning.

### Included Accessories

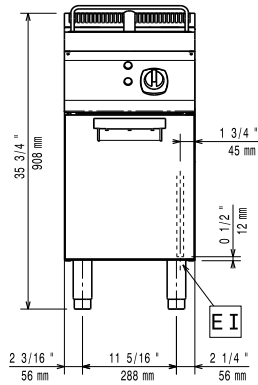
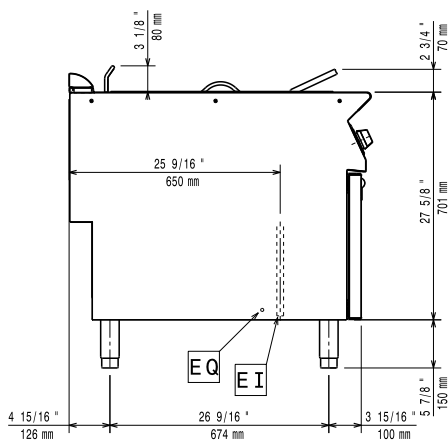
- 1 of Door for open base cupboard PNC 206350
- 1 of Full size basket for 14 and 15lt free standing fryers PNC 921691

### Optional Accessories

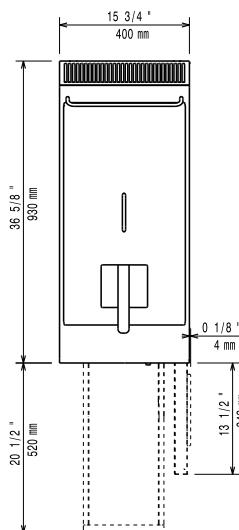
- Junction sealing kit PNC 206086
- Flanged feet kit PNC 206136
- Frontal kicking strip for concrete installation, 400mm PNC 206147
- Frontal kicking strip for concrete installation, 800mm PNC 206148
- Frontal kicking strip for concrete installation, 1000mm PNC 206150
- Frontal kicking strip for concrete installation, 1200mm PNC 206151
- Frontal kicking strip for concrete installation, 1600mm PNC 206152

APPROVAL: \_\_\_\_\_

- |   |  |  |  |
|---|--|--|--|
| • Pair of side kicking strips for concrete installation                       | PNC 206157<br><input type="checkbox"/> | • 2 half size baskets for 12, 14 and 15lt fryers                                 | PNC 921692<br><input type="checkbox"/> |
| • Frontal kicking strip, 400mm (not for refr-freezer base)                    | PNC 206175<br><input type="checkbox"/> | • Filter for fryer oil collection basin for 7lt, 14lt, 15lt free standing fryers | PNC 921693<br><input type="checkbox"/> |
| • Frontal kicking strip, 800mm (not for refr-freezer base)                    | PNC 206176<br><input type="checkbox"/> | • Unclogging rod for 15lt fryers drainage pipe                                   | PNC 921695<br><input type="checkbox"/> |
| • Frontal kicking strip, 1000mm (not for refr-freezer base)                   | PNC 206177<br><input type="checkbox"/> | • Deflector for floured products for 15lt fryers                                 | PNC 921696<br><input type="checkbox"/> |
| • Frontal kicking strip, 1200mm (not for refr-freezer base)                   | PNC 206178<br><input type="checkbox"/> |  |  |
| • Frontal kicking strip, 1600mm (not for refr-freezer base)                   | PNC 206179<br><input type="checkbox"/> |  |  |
| • Pair of side kicking strips (not for refr-freezer base)                     | PNC 206180<br><input type="checkbox"/> |  |  |
| • 2 panels for service duct for single installation                           | PNC 206181<br><input type="checkbox"/> |  |  |
| • 2 panels for service duct for back to back installation                     | PNC 206202<br><input type="checkbox"/> |  |  |
| • Kit 4 feet for concrete installation (not for 900 line free standing grill) | PNC 206210<br><input type="checkbox"/> |  |  |
| • Sediment tray for 15lt fryers   | PNC 206235<br><input type="checkbox"/> |  |  |
| • Oil drain pipe for 15lt free standing fryer                                 | PNC 206301<br><input type="checkbox"/> |  |  |
| • Chimney upstand, 400mm  | PNC 206303<br><input type="checkbox"/> |  |  |
| • Back handrail 800mm, Marine   | PNC 206308<br><input type="checkbox"/> |  |  |
| • Back handrail 1200mm, Marine  | PNC 206309<br><input type="checkbox"/> |  |  |
| • Door for open base cupboard   | PNC 206350<br><input type="checkbox"/> |  |  |
| • Base support for feet or wheels - 400mm (700/900)                           | PNC 206366<br><input type="checkbox"/> |  |  |
| • Base support for feet or wheels - 800mm (700/900)                           | PNC 206367<br><input type="checkbox"/> |  |  |
| • Base support for feet or wheels - 1200mm (700/900)                          | PNC 206368<br><input type="checkbox"/> |  |  |
| • Base support for feet or wheels - 1600mm (700/900)                          | PNC 206369<br><input type="checkbox"/> |  |  |
| • Base support for feet or wheels - 2000mm (700/900)                          | PNC 206370<br><input type="checkbox"/> |  |  |
| • Rear paneling - 600mm (700/900XP)   | PNC 206373<br><input type="checkbox"/> |  |  |
| • Rear paneling - 800mm (700/900)   | PNC 206374<br><input type="checkbox"/> |  |  |
| • Rear paneling - 1000mm (700/900)  | PNC 206375<br><input type="checkbox"/> |  |  |
| • Rear paneling - 1200mm (700/900)  | PNC 206376<br><input type="checkbox"/> |  |  |
| • Chimney grid net, 400mm (700XP/900)   | PNC 206400<br><input type="checkbox"/> |  |  |
| • Base support for feet/wheels (600mm)  | PNC 206431<br><input type="checkbox"/> |  |  |
| • 2 side covering panels for free standing appliances                         | PNC 216134<br><input type="checkbox"/> |  |  |
| • Full size basket for 14 and 15lt free standing fryers                       | PNC 921691<br><input type="checkbox"/> |  |  |

**Front**

**Side**


EI = Electrical inlet (power)  
EQ = Equipotential screw

**Top**


### Electric

<b>Supply voltage:</b>	<b>391087 (E9FRED1GF0)</b>	380-400 V/3N ph/50/60 Hz
<b>Total Watts:</b>		10 kW
		380-400V 3N- 50/60Hz
<b>Predisposed for:</b>		9-10kW

### Key Information:

<b>Usable well dimensions (width):</b>	240 mm
<b>Usable well dimensions (height):</b>	505 mm
<b>Usable well dimensions (depth):</b>	380 mm
<b>Well capacity:</b>	13 lt MIN; 15 lt MAX
<b>Thermostat Range:</b>	105 °C MIN; 185 °C MAX
<b>Shipping weight:</b>	59 kg
<b>Shipping height:</b>	1080 mm
<b>Shipping width:</b>	460 mm
<b>Shipping depth:</b>	1020 mm
<b>Shipping volume:</b>	0.51 m <sup>3</sup>

If appliance is set up or next to or against temperature sensitive furniture or similar, a safety gap of approximately 150 mm should be maintained or some form of heat insulation fitted.